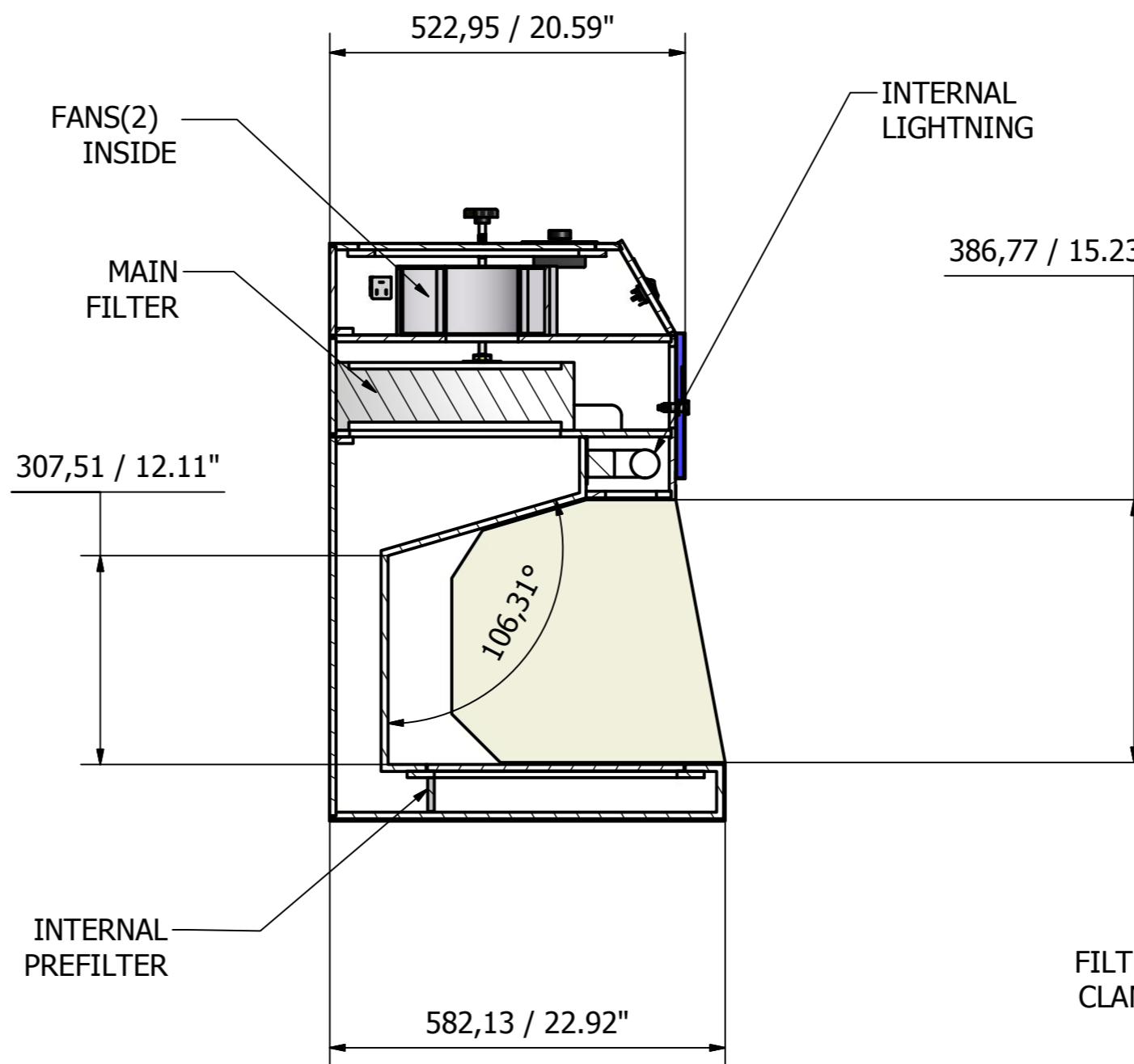
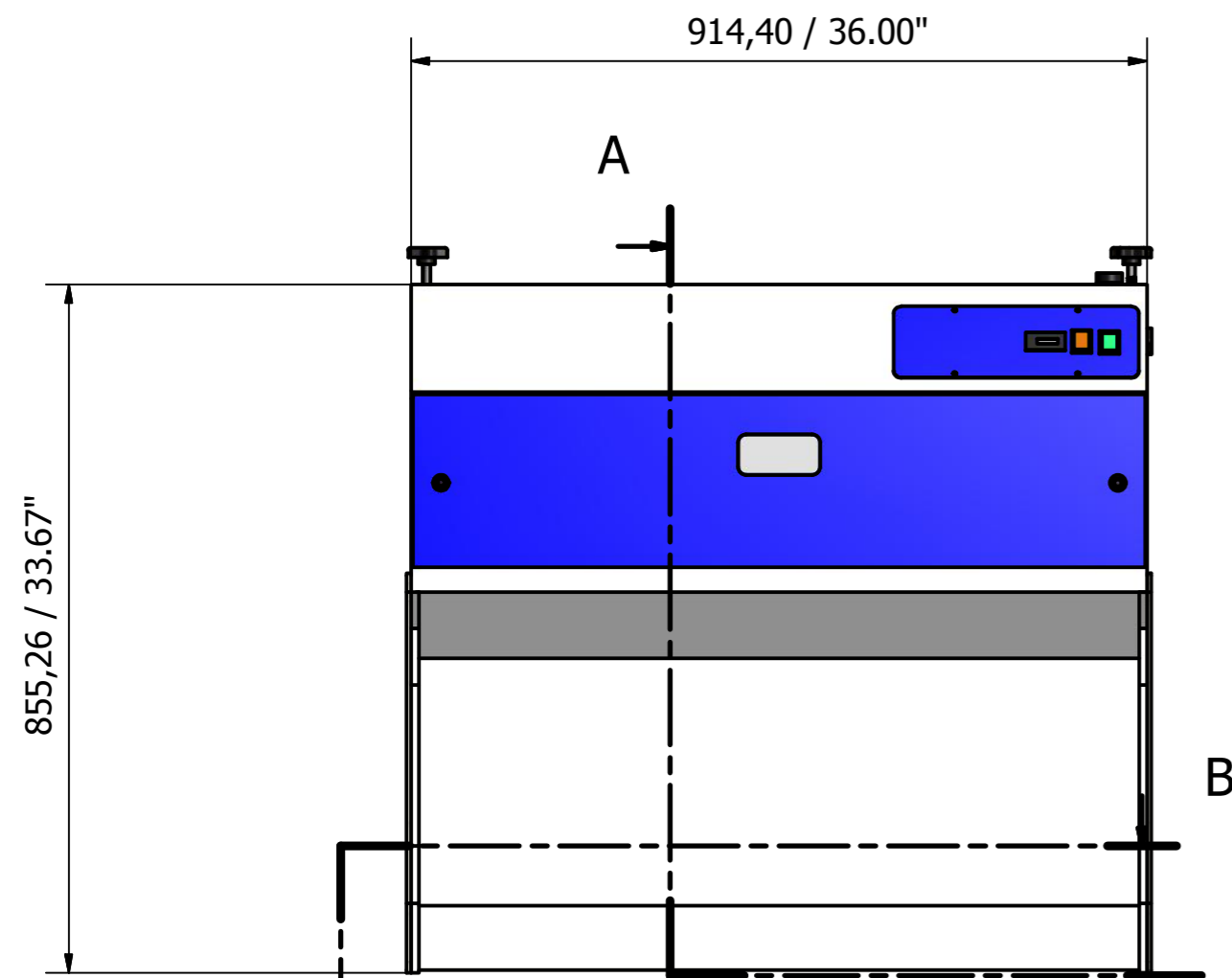


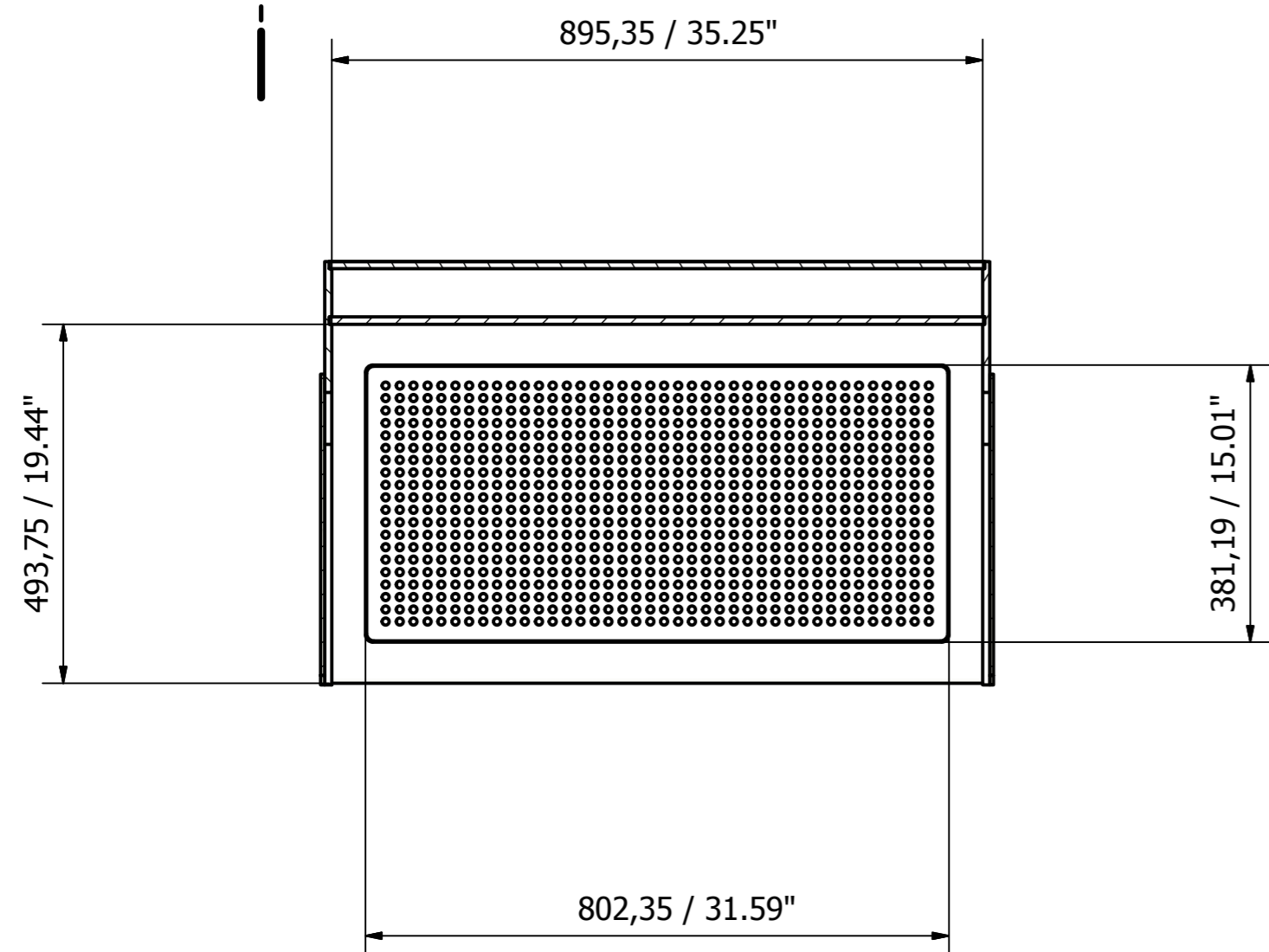
REVISION HISTORY				
ZONE	REV	DESCRIPTION	DATE	APPROVED
DESIGN	1	UPDATE	6/29/2017	P CH
INTERNAL WS	2	ADD PREFILTER	5/29/2018	P CH

NOTES :

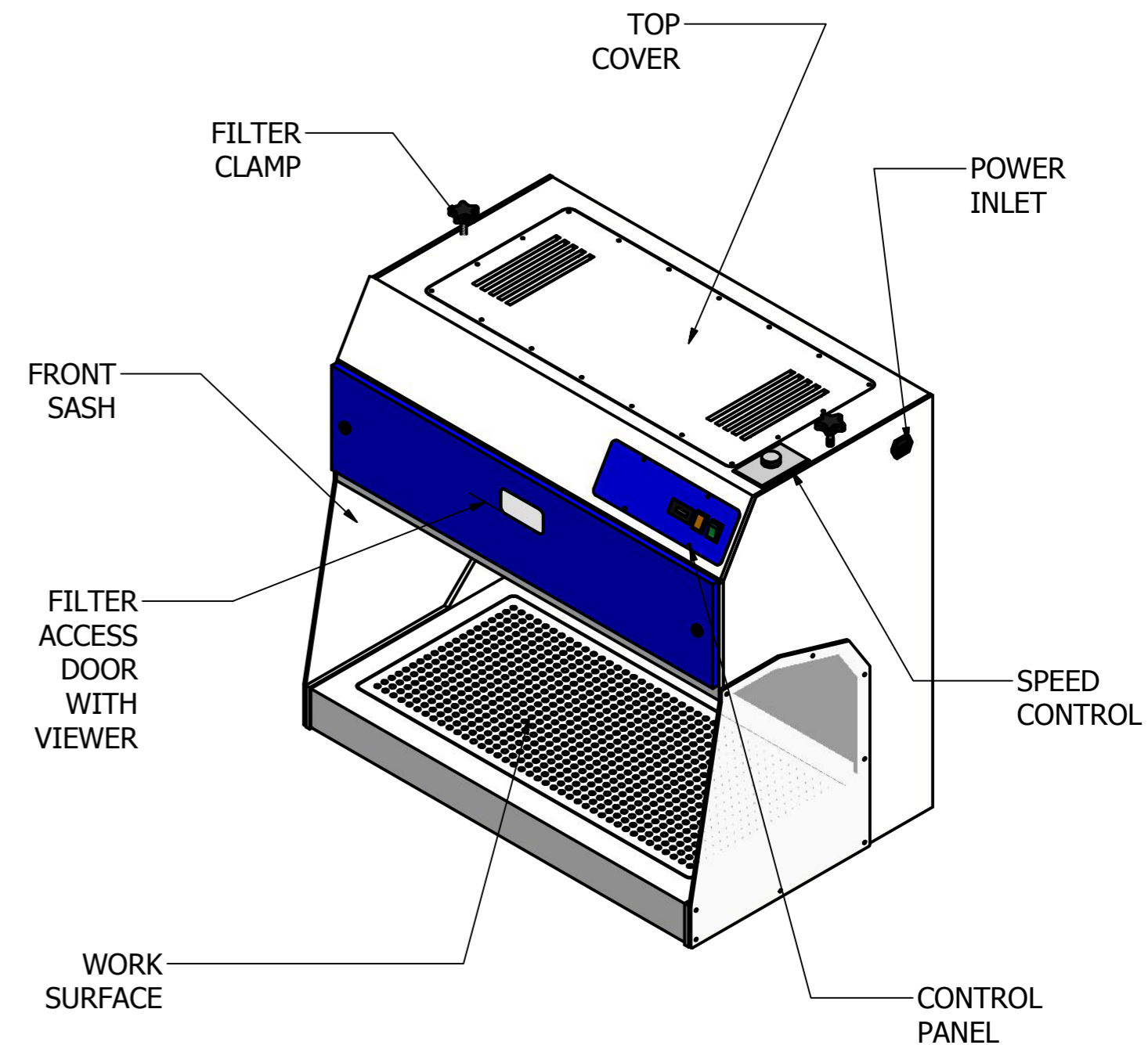
- 1.0 CUSTOMER:
- 2.0 SUBMIT DRAWINGS FOR APPROVAL.
- 3.0 INCLUDED:
- 3.1 BODY BUILT WITH 3/8" WHITE POLYPROPYLENE, SEAMLESS, NON-POROUS WATERTIGHT INDIDE, TERMALLY FUSE.
- 3.2 SEAMLESS POLYPRO WORKSURFACE.
- 3.3 INTERNAL LIGHTING.
- 3.4 SPEED CONTROL.
- 3.5 POWER SWITCH ON/OFF.
- 3.6 FRONT SASH AND SIDES PANELS MADE IN CLEAR POLYCARBONATE.
- 4.0 ELECTRICAL REQUIREMENT 110 VOLT, 60 HZ.
- 5.0 AST8 200XL HEPA FILTER.



A-A (1 : 9)



B-B (1 : 9)



Designed by CFG	Checked by	Approved by	Date 5/29/2018	Date 5/29/2018	
AIR SCIENCE USA		DWS36PP DOWN FLOW WORKSTATION			
DWS.PP36-GAssem			Edition 2	Sheet 1 / 1	