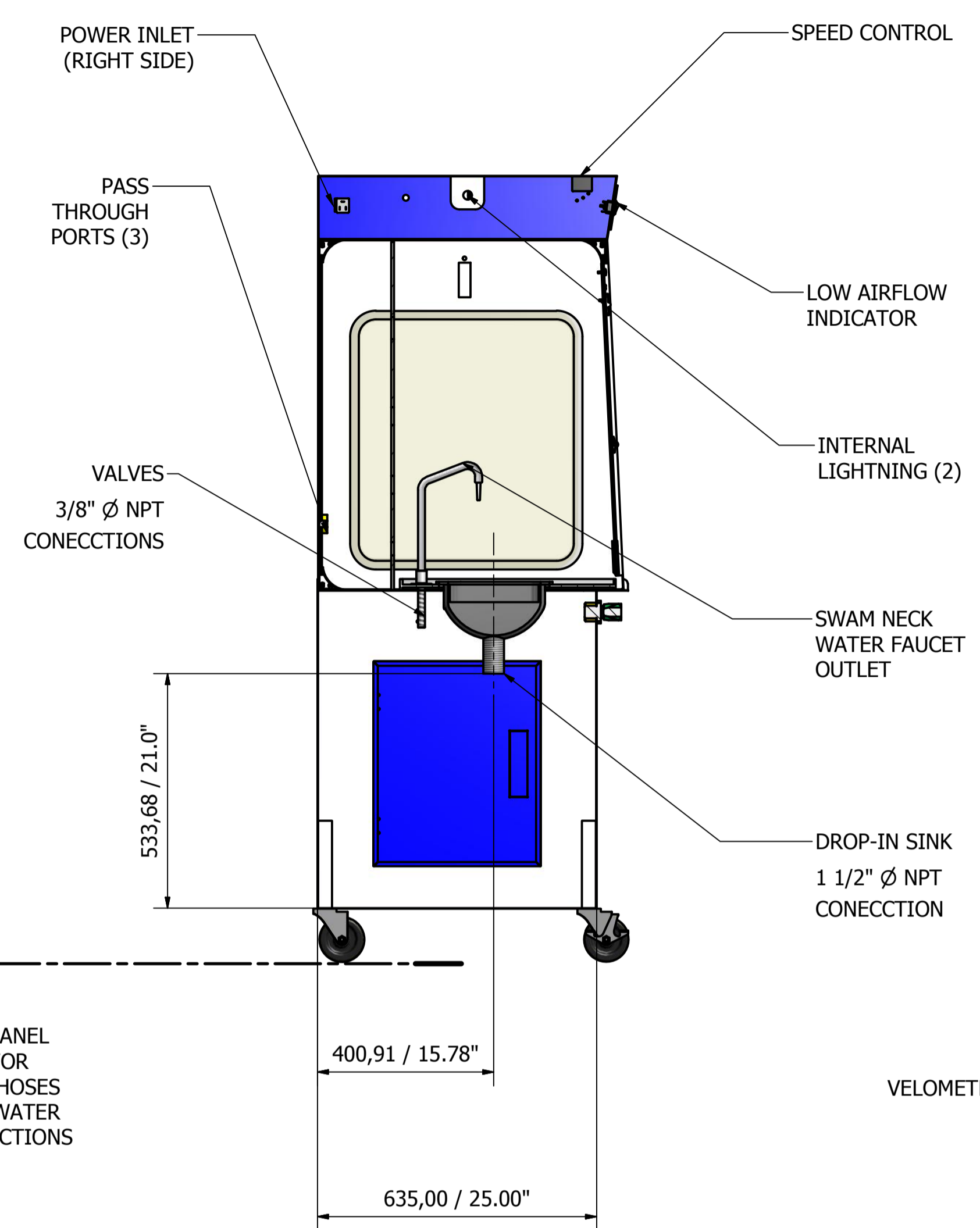
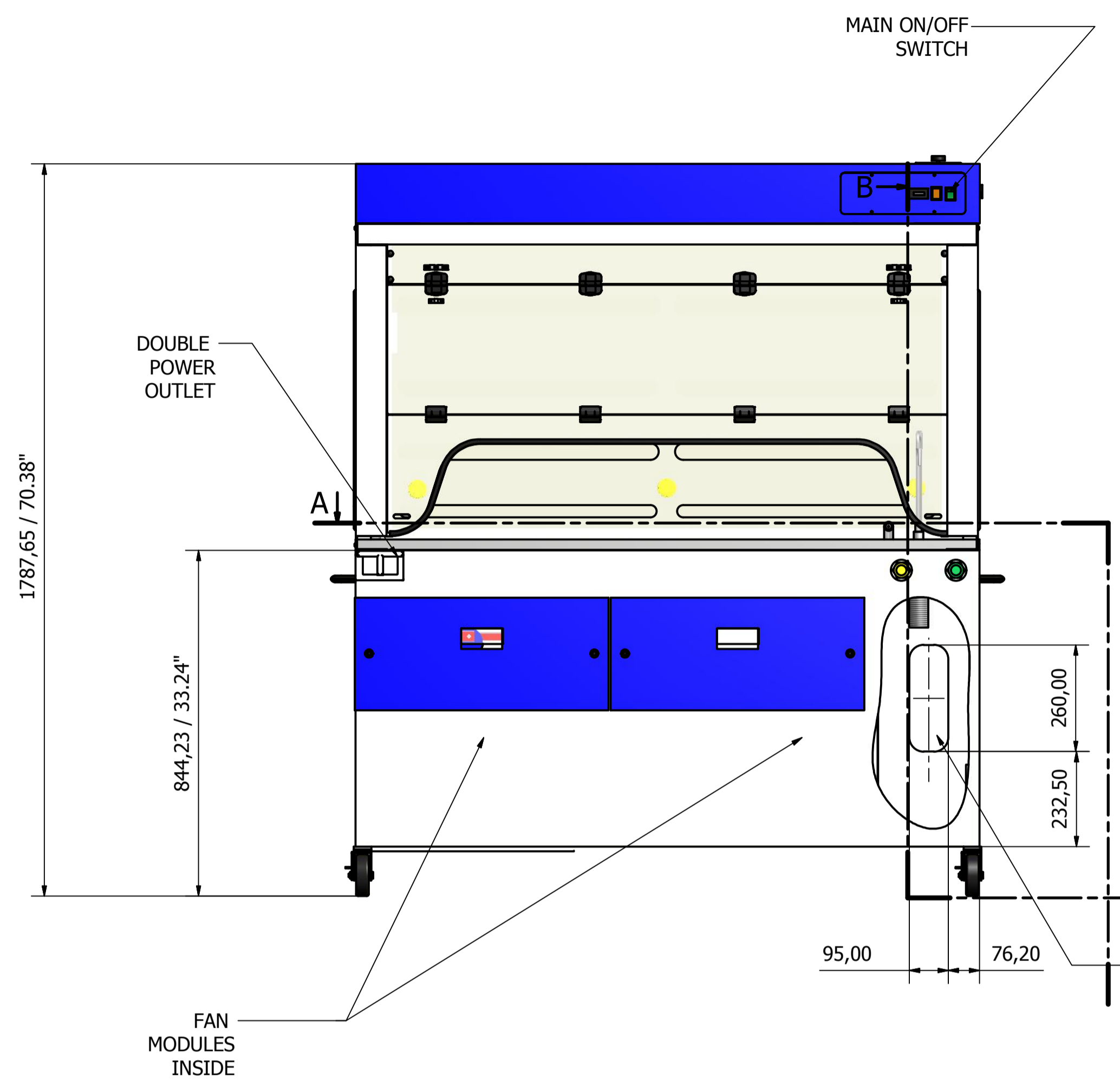
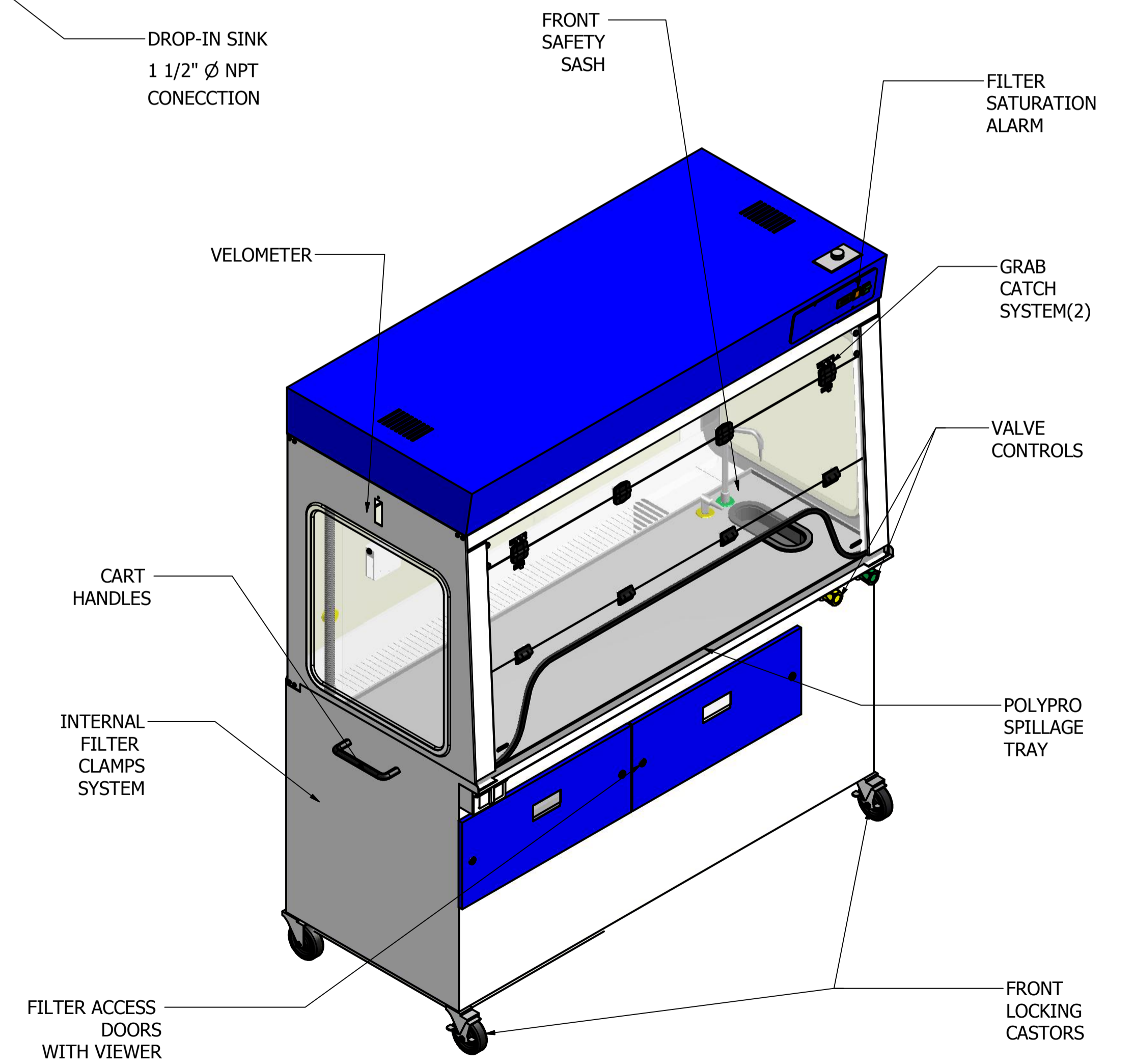
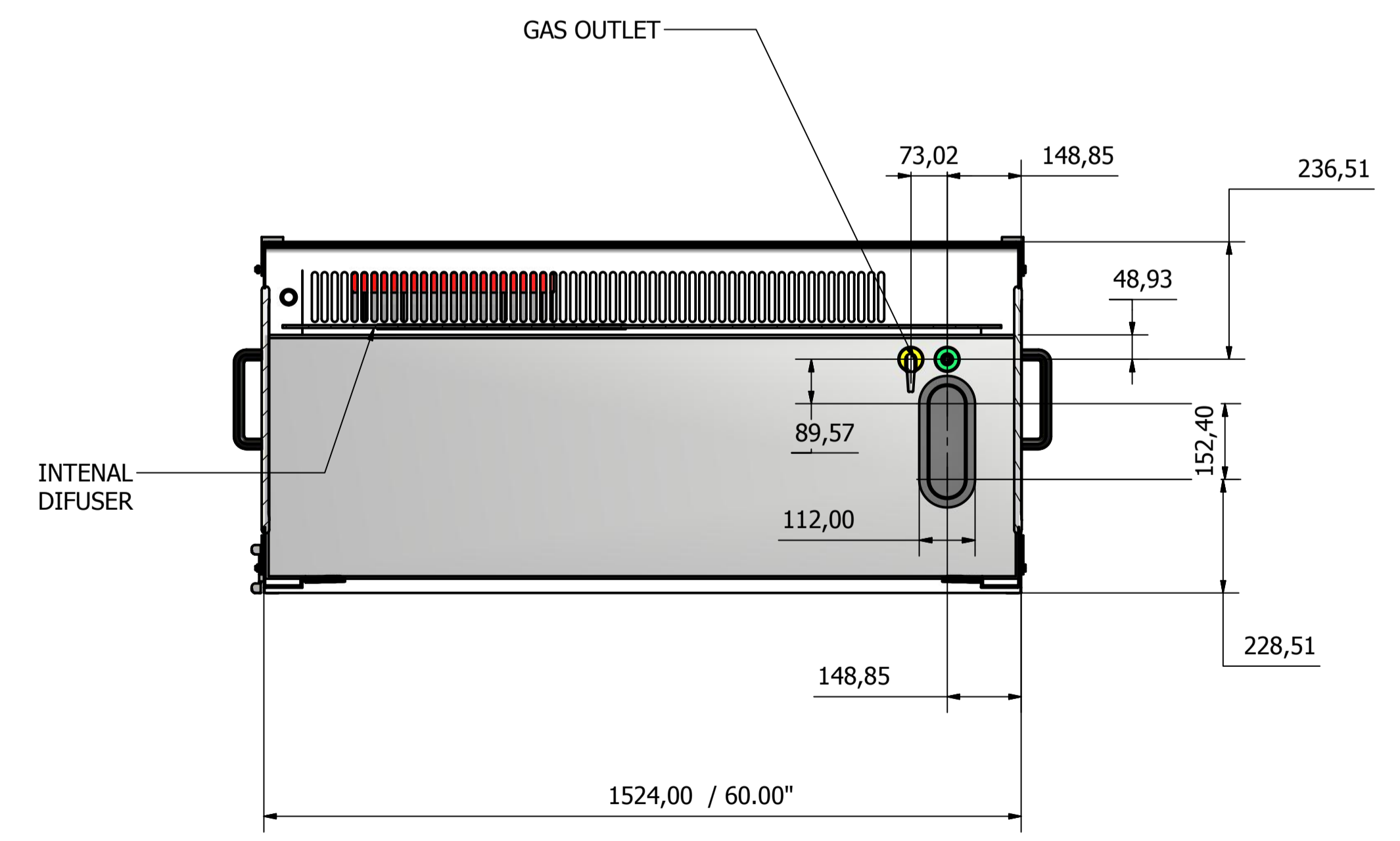


REVISION HISTORY				
ZONE	REV	DESCRIPTION	DATE	APPROVED
CART	1	CUT OUT SINK	8/29/2017	P CH



- NOTES :
- STANDARD ON ALL UNITS
  - CONSTRUCTION: EPOXY COATES MID STEEL CABINET, CART, SIDE PANELS AND HEAD UNIT.
  - FRONT, SIDES, BACK, DIFUSER AND TOP PANELS MADE IN CLEAR ACRYLIC OF 1/4".
  - CENTRIFUGAL FAN.
  - POWER SUPPLY 110 V 60 HZ.
  - RATING ON MOTOR 200 CFM .
  - FACE VELOCITY 60-100 FPM.
  - PRE-FILTER 99.6% EFFICIENCY.
  - EDU CARBON FILTER.
  - MONITORING LOW AIR FLOW.
  - HEAVY DUTY CART WITH TWO LOCABLE WHEELS.



Designed by CFG	Checked by	Approved by	Date 12/28/2015	Date
AIR SCIENCE USA			EDU M-60 WORK STATION UNIT	
EDU60.WorkS.Assem			Edition 1	Sheet 1 / 1