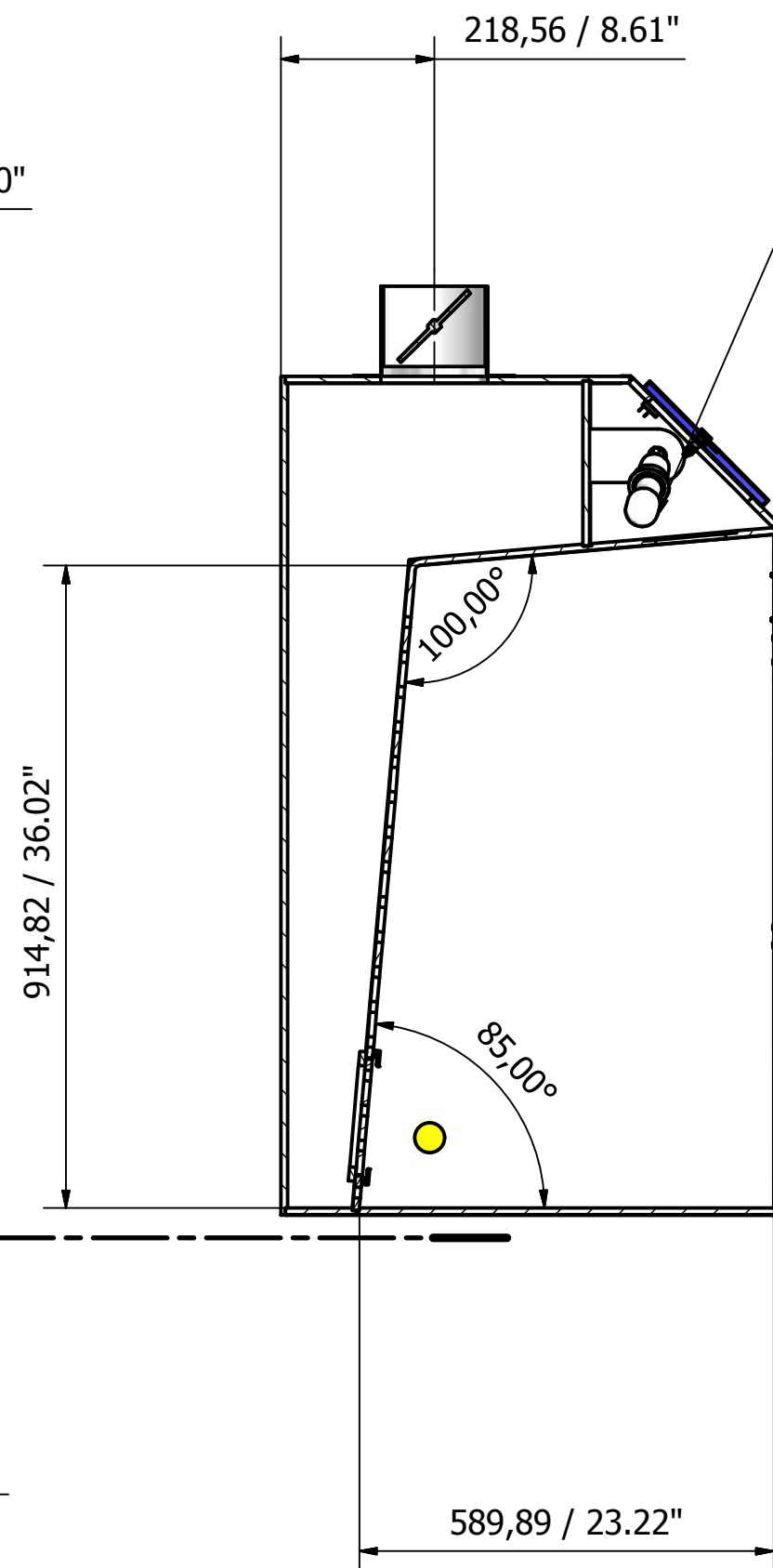
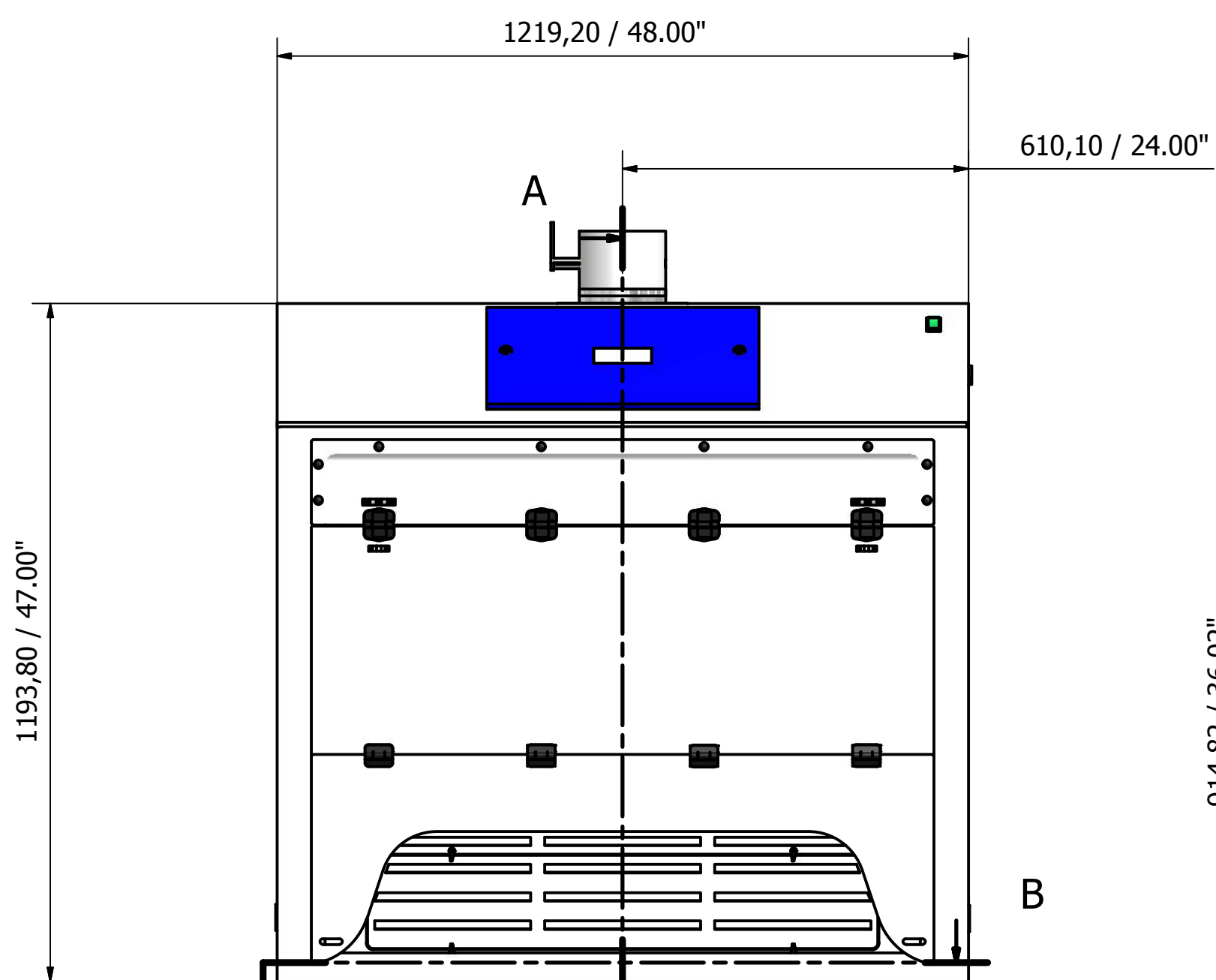
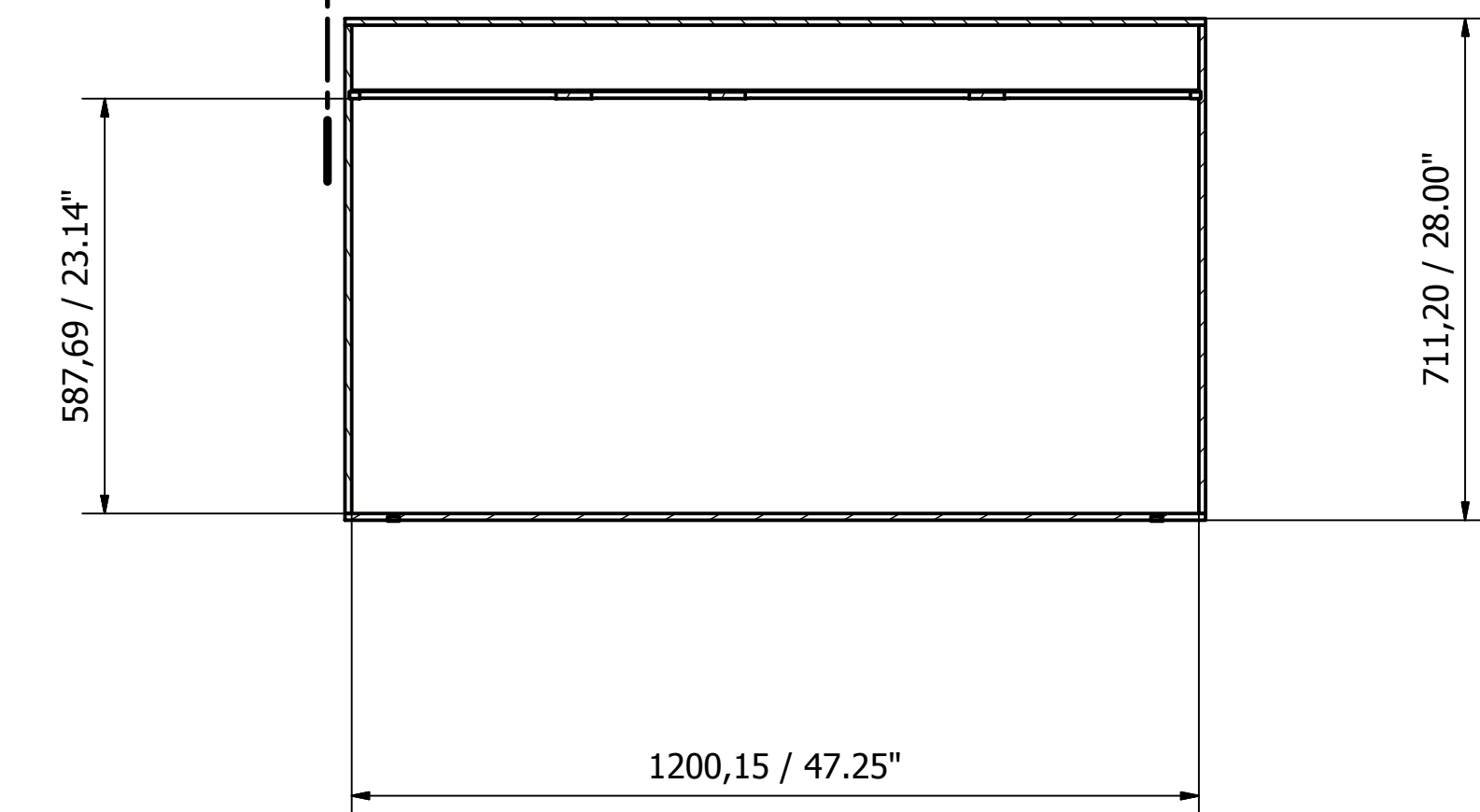


REVISION HISTORY				
ZONE	REV	DESCRIPTION	DATE	APPROVED
INTERNAL	1	BAFFLE DESIGN UPDATE	1/06/2014	P CH



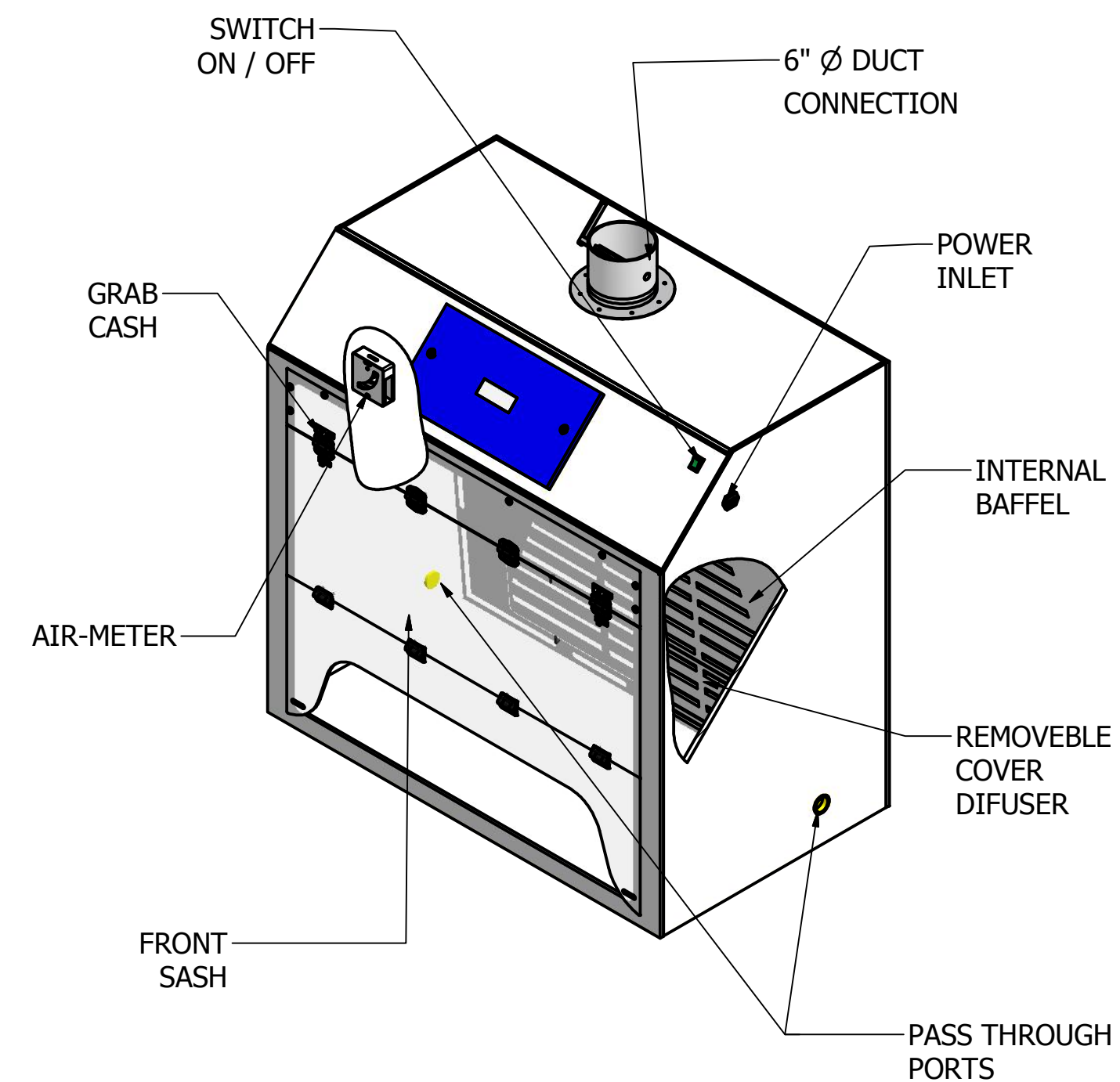
A-A (1 : 10)



B-B (1 : 10)

NOTES:

- 1.0 CUSTOMER:
- 2.0 SUBMIT DRAWINGS FOR APPROVAL.
- 3.0 INCLUDED:
- 3.1 STANDARD ITEMS APPLIED.
- 3.2 SEAMLESS POLYPRO WORK SURFACE.
- 3.3 EXHAUST CONNECTION 6" Ø COLLAR.
- 3.4 DOUBLE HINGED SELF LOCKING FRONT SASH.
- 3.5 INTERNAL BAFFLE SYSTEM.
- 3.6 AIR VELOMETER, AIRFLOW CHECKING.
- 3.7 PASS TROUGH PORTS.
- 3.8 INTERNAL LIGHTNING.
- 4.0 CABINET BUILT WITH 3/8" WHITE POLYPROPYLENE, SEAMLESS, NON-POROUS WATERTIGHT INSIDE, THERMALLY FUSE.
- 5.0 POWER SWITCH ON/OFF.
- 6.0 ELECTRICAL REQUIREMENTS 110V 6A 60 HZ
- 7.0 W/O



Designed by CFG	Checked by	Approved by	Date 1/13/2016	Date
AIR SCIENCE USA		PTEFH-48 EXHAUSTED FUME HOOD		
PTEFH48.GAssem		Edition 1	Sheet 1 / 1	