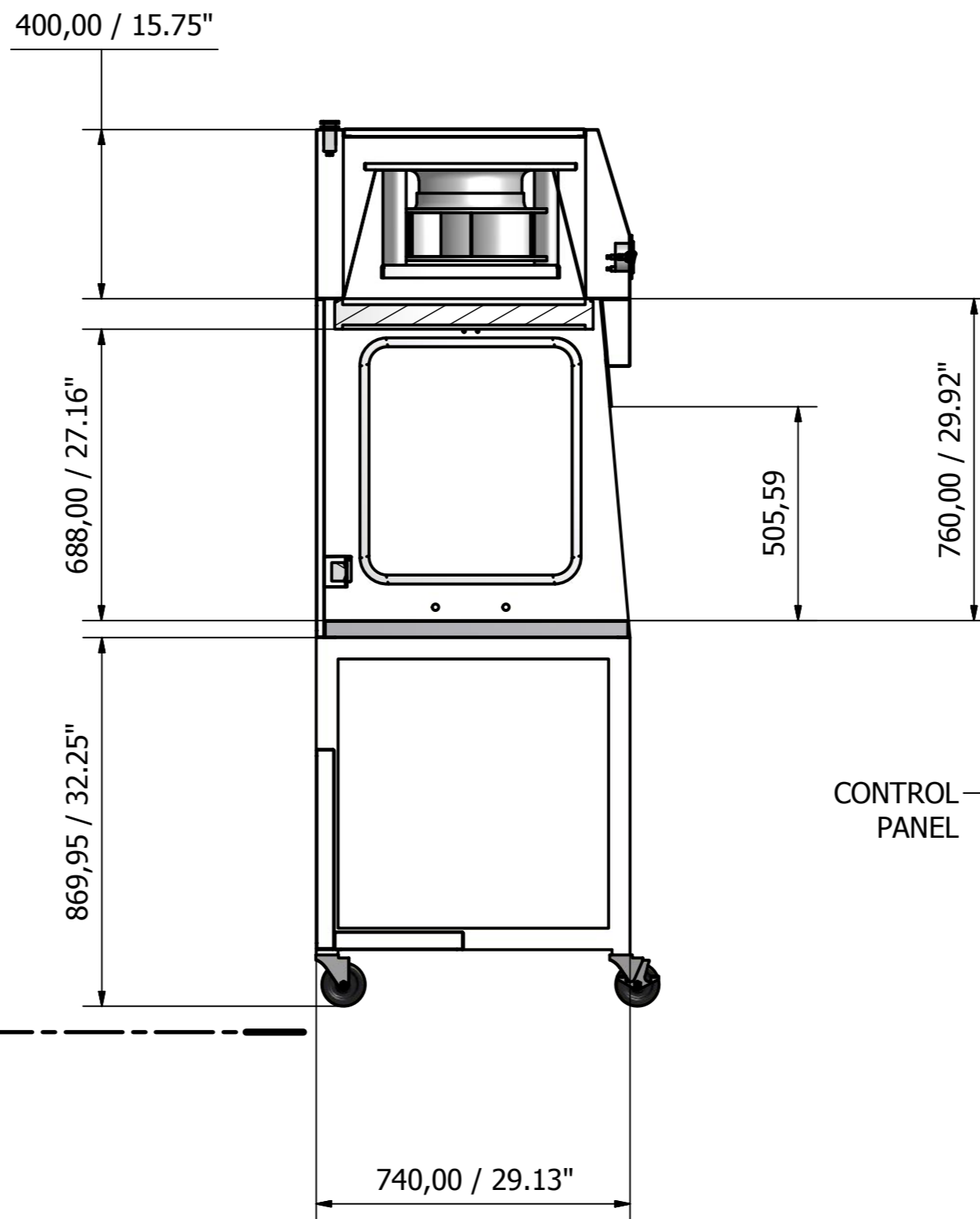
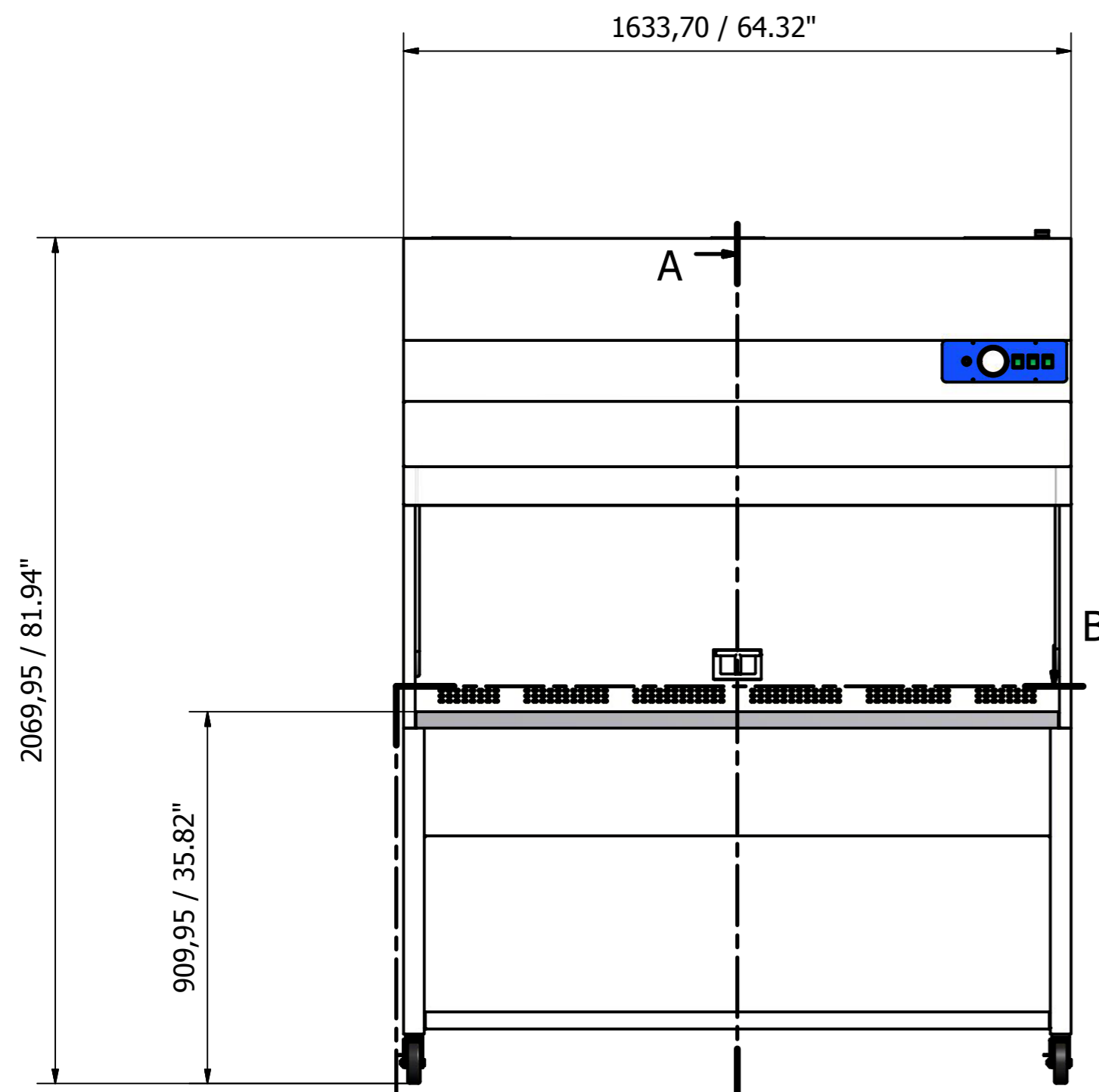


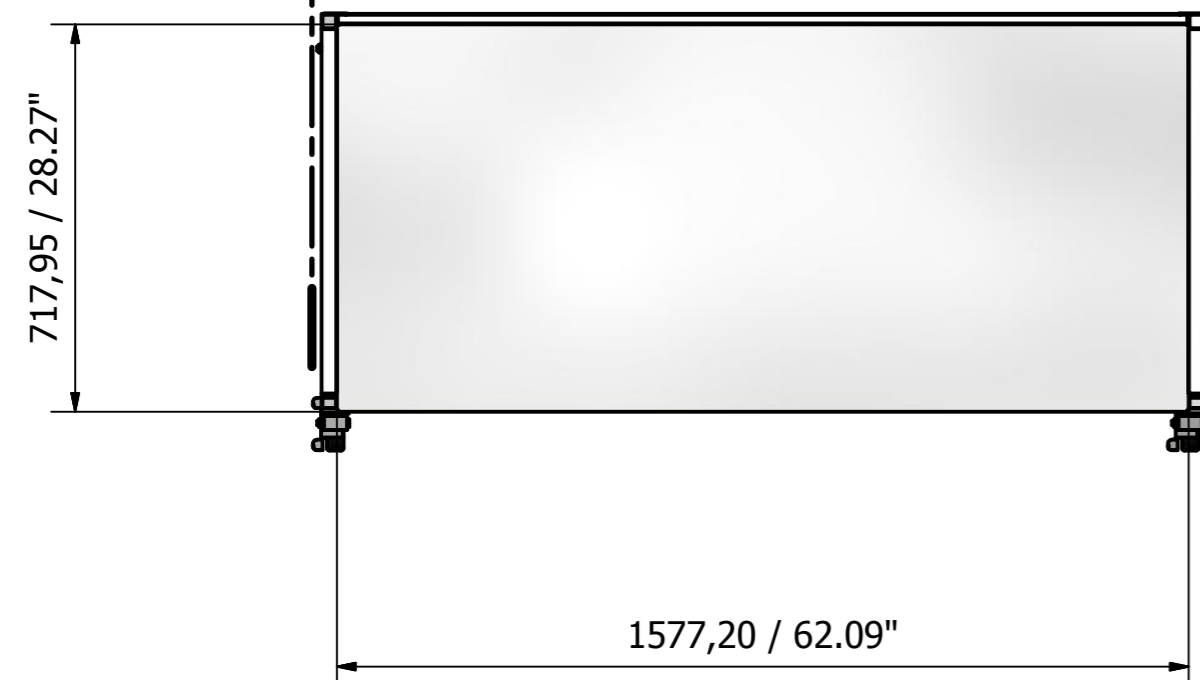
REVISION HISTORY				
ZONE	REV	DESCRIPTION	DATE	APPROVED
WORK SURFACE	1	SS WORK SURFACE 40 MM HIGH	1/20/2013	P CH
TOP FRONT	2	CONTROL PANEL POSITION	7/18/2018	P CH

NOTES :

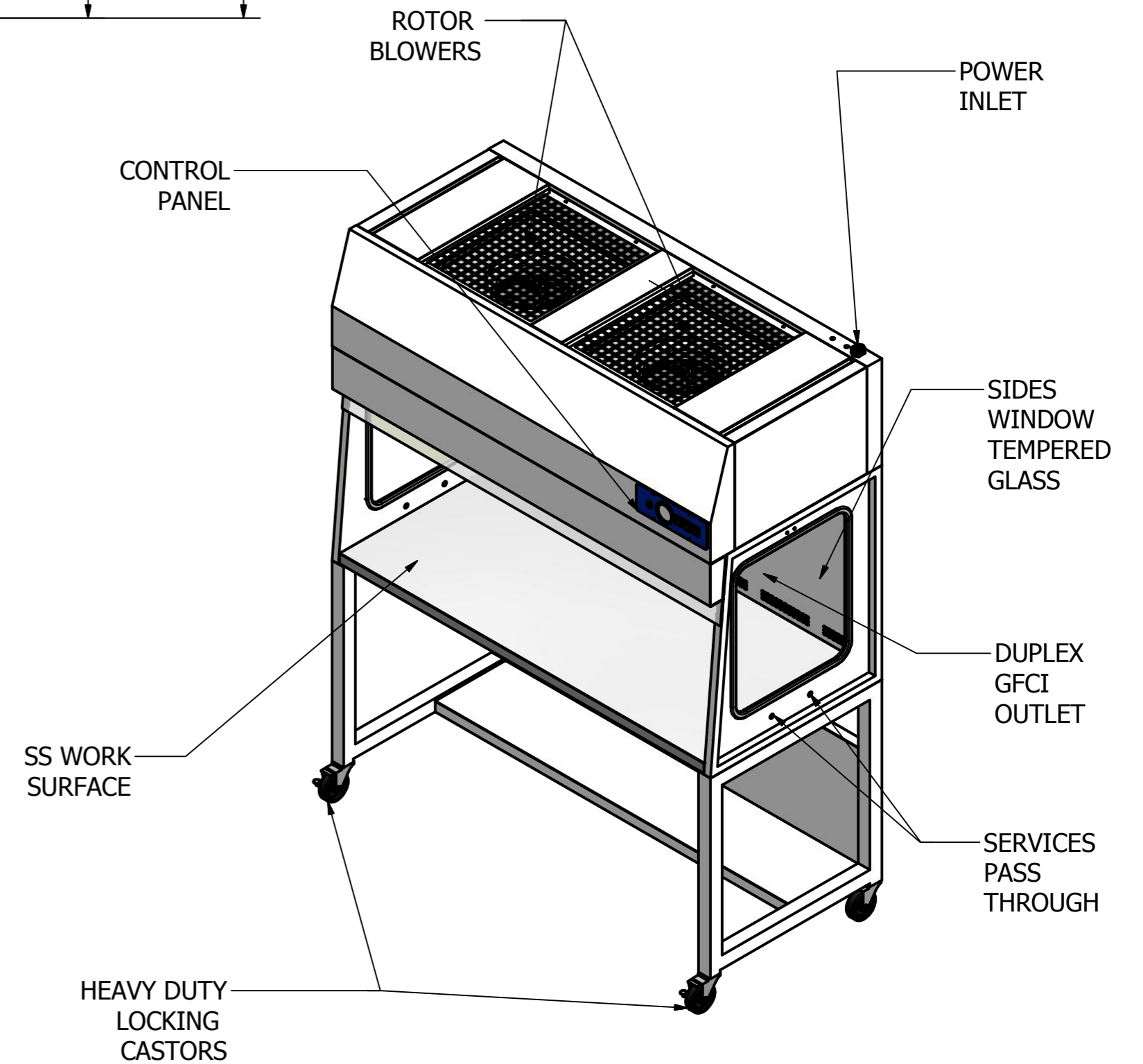
- 1.0 CUSTOMER
- 2.0 SUBMIT DRAWING FOR APPROVAL.
- 3.0 STANDARD FEATURES INCLUDED.
- 3.1 CONSTRUCTION, EPOXY MICROgone ANTIMICROBIAL COATING MILD STEEL.
- 3.2 STAINLESS STEEL WORK SURFACE .
- 3.3 SIDES PANELS MADE IN TEMPERED GLASSES.
- 3.4 CANFIL-FARR ULPA MAIN FILTER.
- 3.5 INTERNAL LIGHTNING.
- 3.6 INTERNAL GFCI OUTLET.
- 3.7 FAN SPEED CONTROL.
- 3.8 OPTIONAL; BASE STAND OR MOVIL CART.
- 3.9 CONTROL PANEL: FAN'S ON/OFF, MINIHELIC ULPA PRESSURE GAUGE, GFCI OUTLET, AND LIGHTS SWITCHES.
- 4.0 EBMPAPST ROTOR BLOWER.
- 5.0 POWER INLET 120 V 60 HZ.
- 6.0 OPTIONAL; HANGING BAR WITH "S" HOOKS.
- 7.0 HEPA FILTER 1523 X 610 X 66.



A-A ( 1 : 14 )



B-B ( 1 : 14 )



Designed by CFG	Checked by	Approved by	Date 2/9/2012	Date	Sheet 1 / 1
AIR SCIENCE USA		VLF-60 VERTICAL LAMINAR FLOW		Edition 2	
		VLF-60.GAssem			