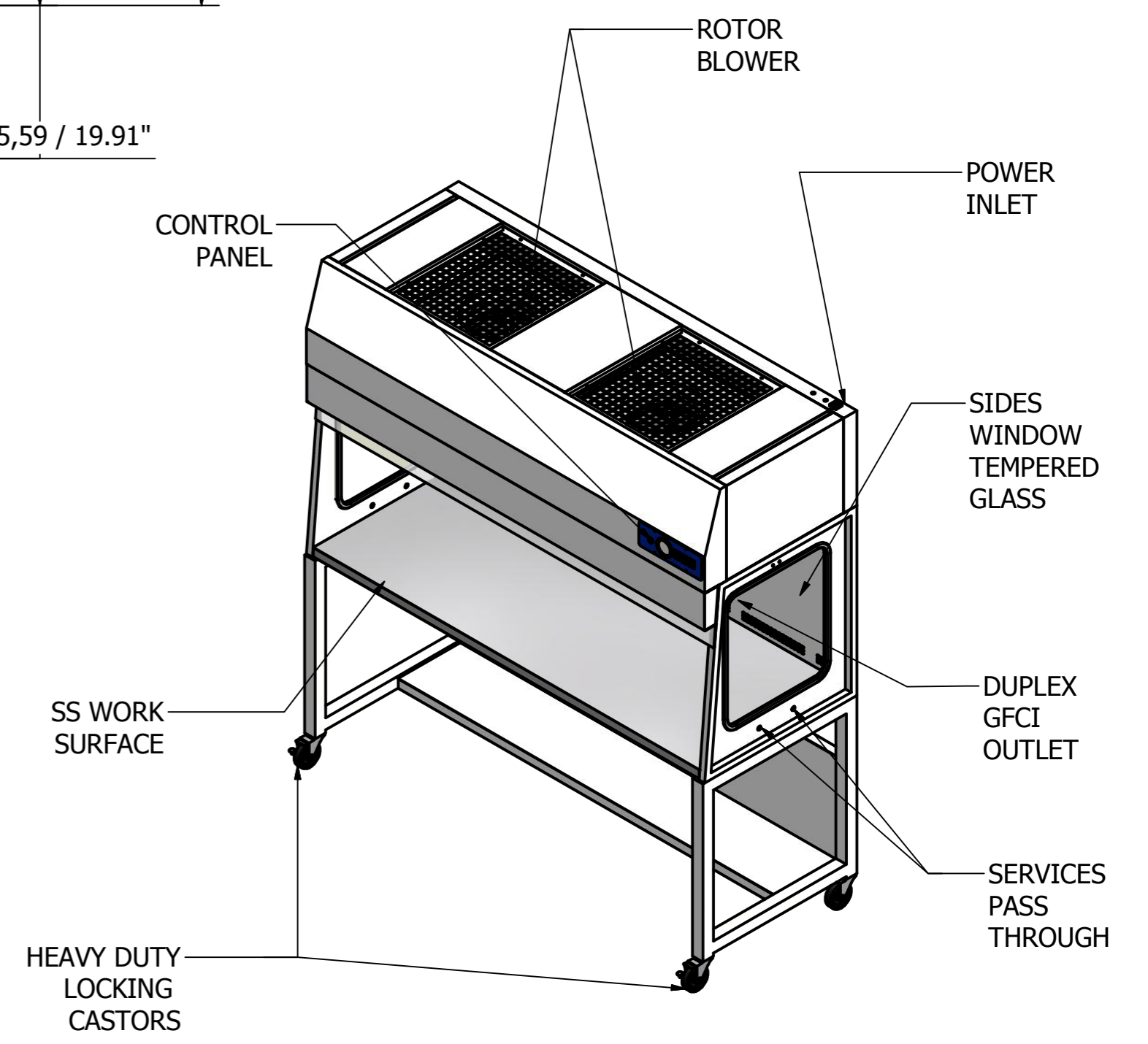
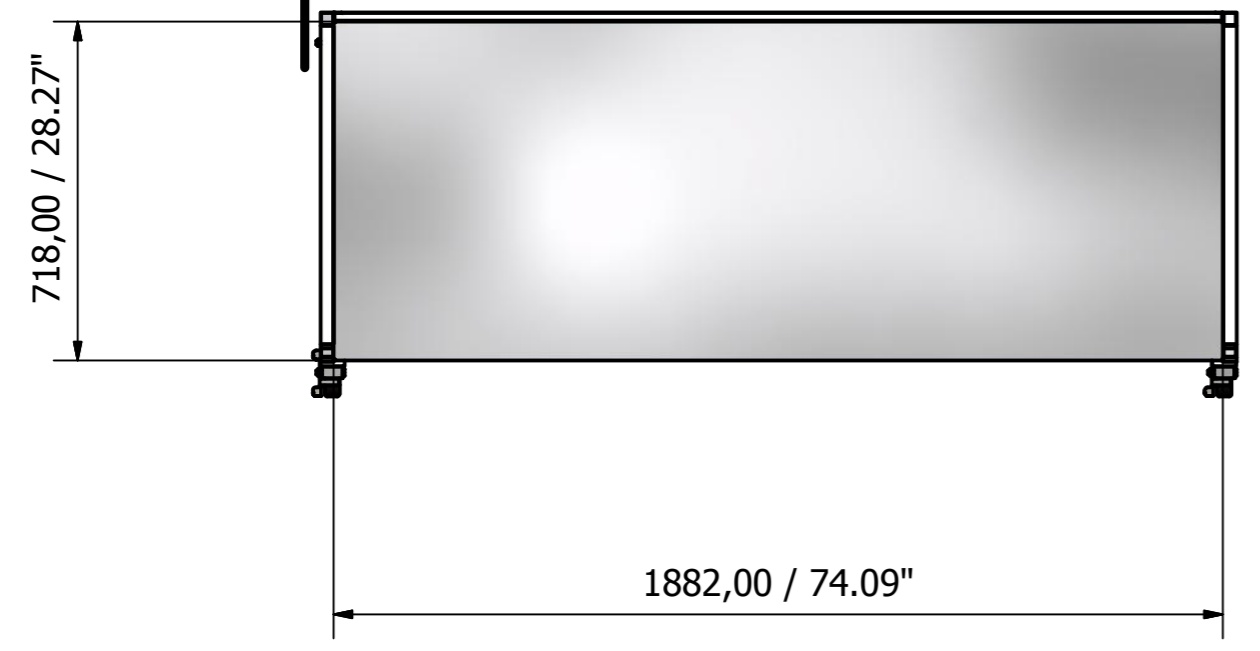
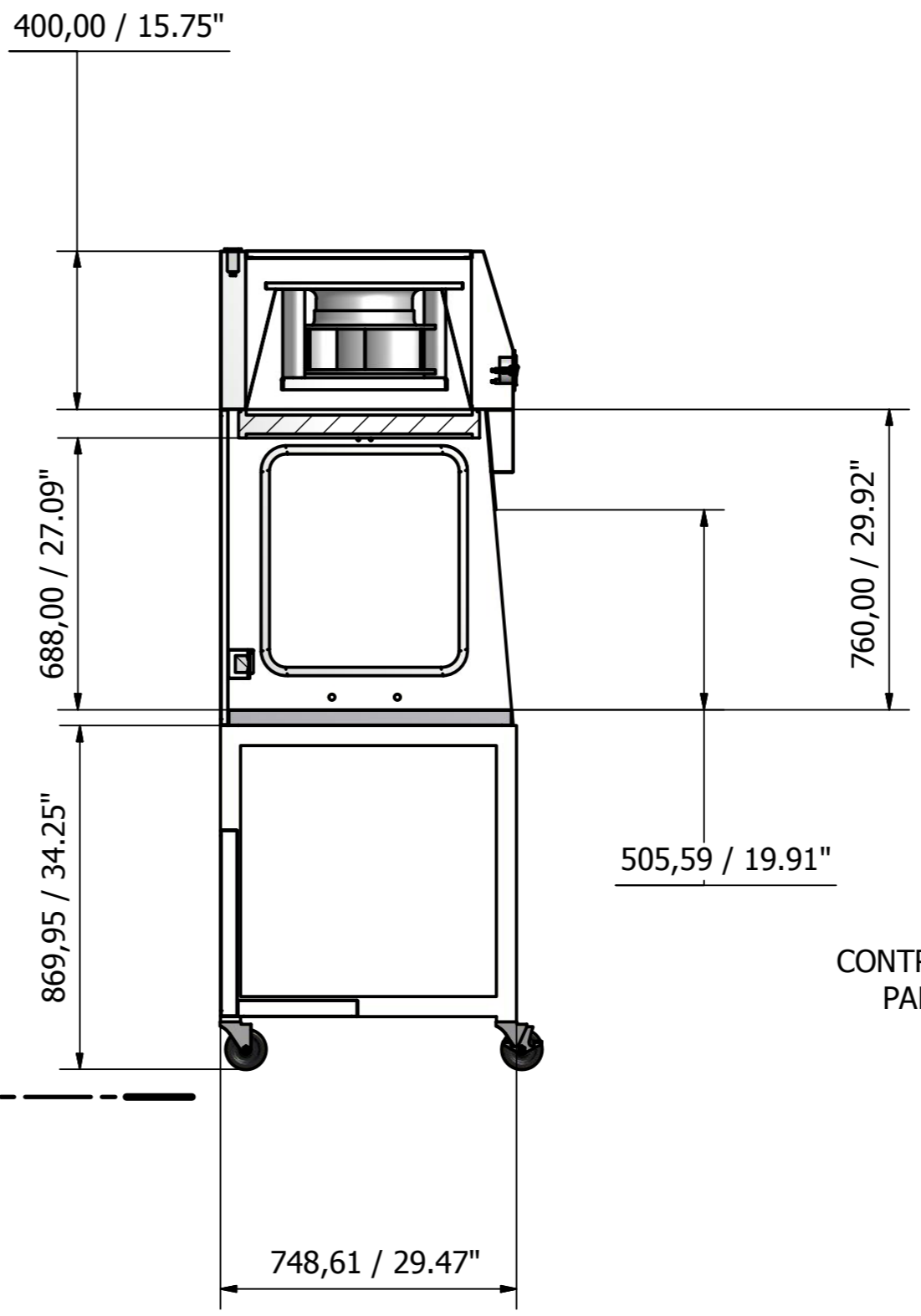
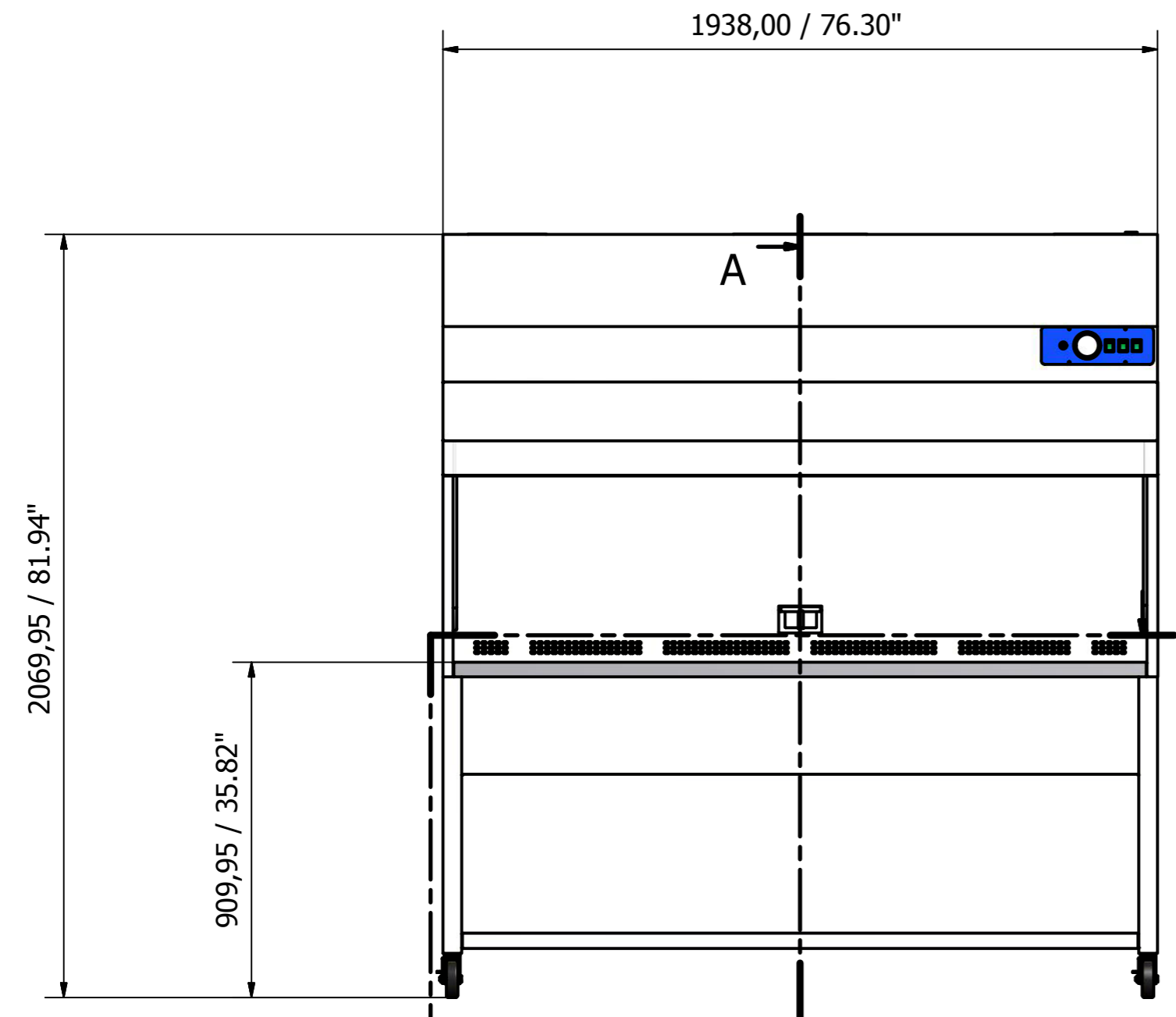


REVISION HISTORY				
ZONE	REV	DESCRIPTION	DATE	APPROVED
WORK SURFACE	1	SS WORK SURFACE 40 MM HIGH	1/20/2013	P CH
TOP FRONT	2	CONTROL OANEL POSITION	7/25/2018	P CH

- NOTES :**
- 1.0 CUSTOMER
 - 2.0 SUBMIT DRAWING FOR APPROVAL.
 - 3.0 STANDARD FEATURES INCLUDED.
 - 3.1 CONSTRUCTION, EPOXY MICROgone ANTIMICROBIAL COATING MILD STEEL.
 - 3.2 STAINLESS STEEL WORK SURFACE .
 - 3.3 SIDES PANELS MADE IN TEMPERED GLASSES.
 - 3.4 CANFIL-FARR ULPA MAIN FILTER.
 - 3.5 INTERNAL LIGHTNING.
 - 3.6 INTERNAL GFCI OUTLET.
 - 3.7 FAN SPEED CONTROL.
 - 3.8 OPTIONAL; BASE STAND OR MOVIL CART.
 - 3.9 CONTROL PANEL: FAN'S ON/OFF, MINIHELIC ULPA PRESSURE GAUGE, GFCI OUTLET, AND LIGHTS SWITCHES.
 - 4.0 EBMPAPST ROTOR BLOWER.
 - 5.0 POWER INLET 120 V 60 HZ.
 - 6.0 OPTIONAL; HANGING BAR WITH "S" HOOKS.
 - 7.0 W/O



Designed by CFG	Checked by	Approved by	Date 4/18/2011	Date
AIR SCIENCE USA		VLF-72 VERTICAL LAMINAR FLOW		
VLF-72.GAssem		Edition 2	Sheet 1 / 1	